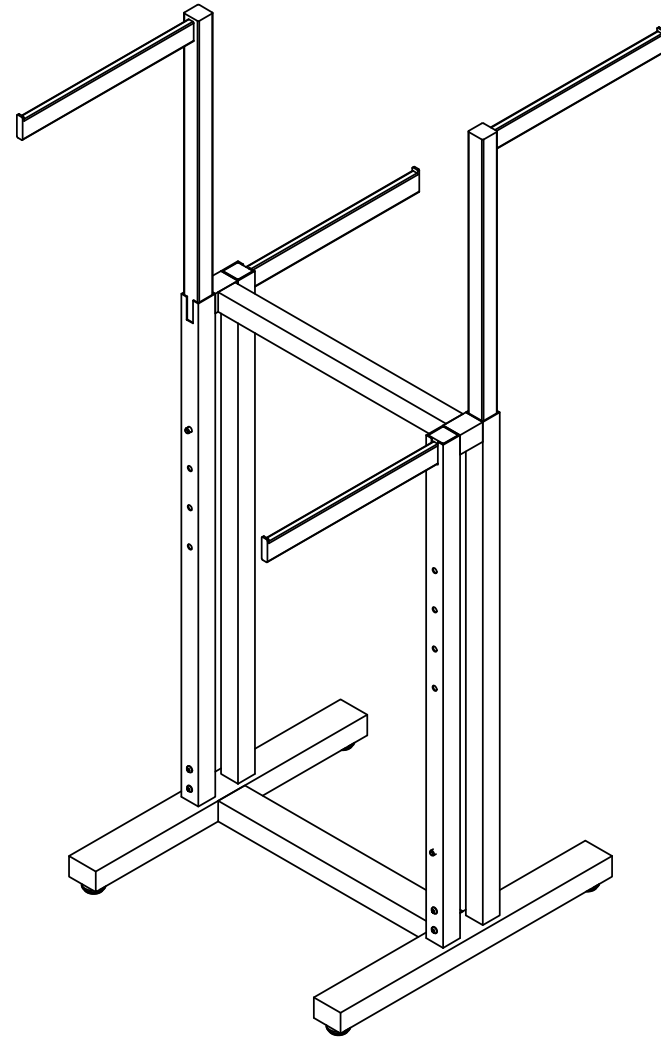


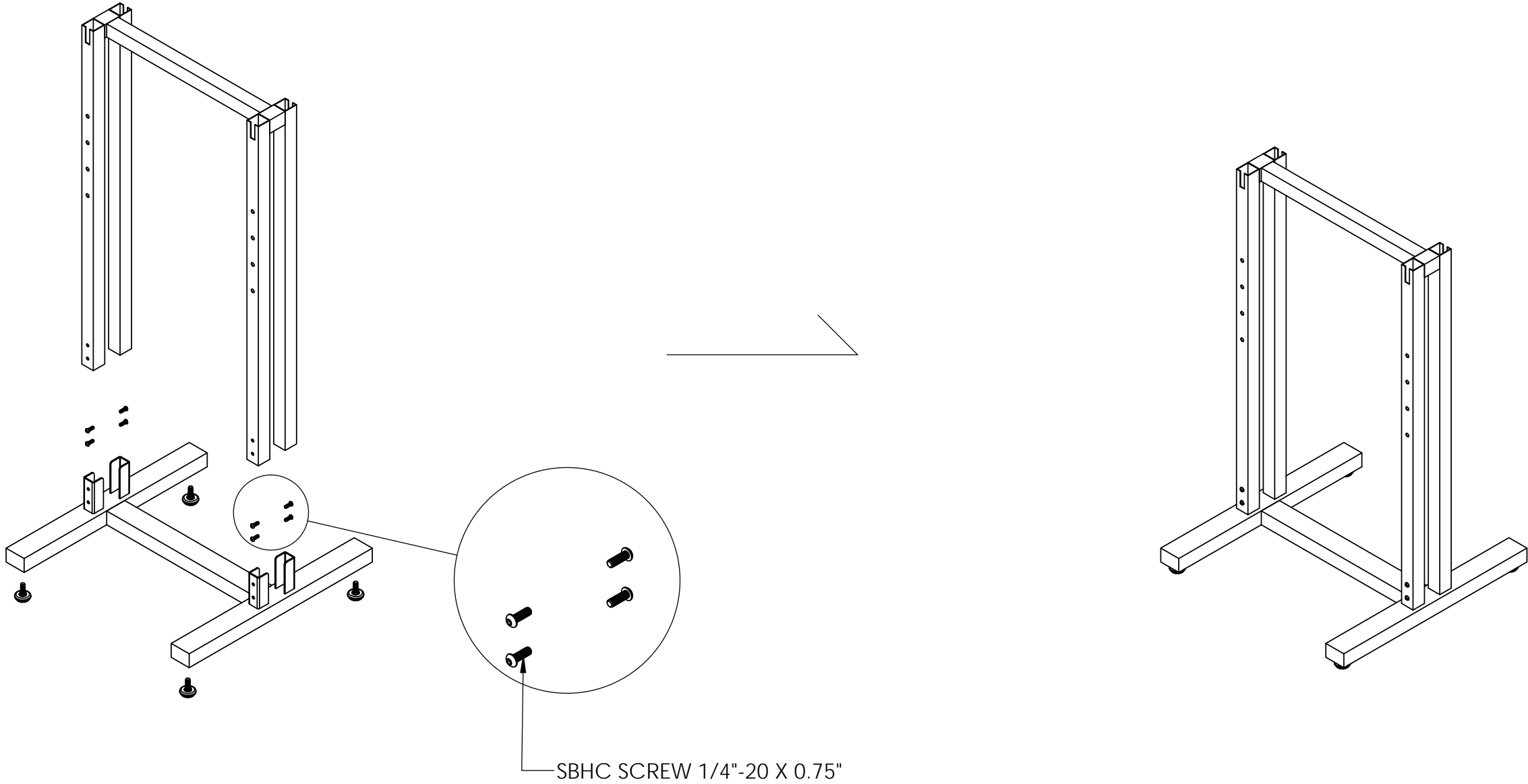
ASSEMBLY INSTRUCTIONS

952 - 4W - M - (4 WAY METAL BASE)



ASSEMBLY INSTRUCTIONS

STEP 1:



ASSEMBLY INSTRUCTIONS

STEP 2:

